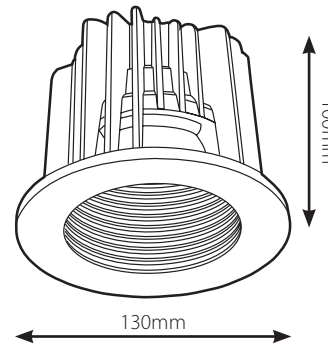




- Circular LED recessed downlight luminaire, choice of inner colour halo
- Clear, opal, blue, red, green and orange, other colours available to order
- Die cast aluminium body, cast twist and lock bezel, matt white as standard
- Option, polished chrome, brushed chrome or any RAL colour
- Available from 1400 to 5000 Lumens
- Providing an excellent luminaire efficacy up to 130 lm/W
- Stable colour temperature options: 2700, 3000, 3500, 4000 Kelvin, CRI80/ CRI90
- Excellent colour rendering throughout entire service life
- Constant luminous flux at all colour temperatures in combination
- High colour consistency (MacAdams 3)
- Supplied with Tridonic SLE LED module, Tridonic Driver
- Efficient general lighting for all areas of application: replaces existing compact fluorescent 18 -57 single / twin and CDMT 20W/35W/70W/100W downlights
- Supplied with fixed output driver
- Dimming options, DALI, DSI switch, DIM 3 hour emergency version
- Weight 1.7kg, mains voltage 220-240V, mains frequency 50 / 60 Hz
- Operating ambient temperature: -25°C to +25°C
- L90 means that the LED module will give 80% of its initial luminous flux. This value is always related to the number of operation hours and therefore defines the lifetime of an LED module.
- Conforms to EN60 598-2-2 BS453 C €
- Tridonic SLE led module



Add suffix to catalogue number:

EM3: Emergency three hour. **EMST:** 3 hour self test emergency.

EM3DALI: DALI Addressable emergency.

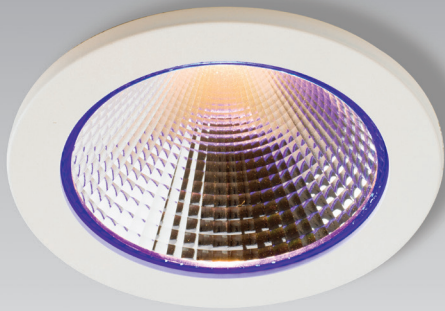
SD: Switch DIM dimming with push to make switch.

DALI: Digital Addressable Lighting Interface. **W:** White bezel.

PC: Polished chrome bezel. **BS:** Brushed chrome bezel.

SP: Any RAL colour please specify.

Please note that with the continuous rapid development in lighting technology, specification values may change. Contact our technical department for details. We reserve the right to amend or change details without prior notification. All performance data is taken at an ambient temperature of +25°C. Lumens and connected system load are subject to an initial tolerance of up to +/- 10%.



X10LED SPECIFICATION CRI80

CAT No	Colour Temp (K)	Colour Rendering (RA)	Life (L90) (hrs)	Total Delivered Lumens (lm)	Connected Load Total Watts (tcw)	Luminaire System Efficacy (lm/W)
X10 984	4000	CRI 80	60000	1226	9.5	129.00
X10 9835	3500	CRI 80	60000	1188	9.5	125.00
X10 983	3000	CRI 80	60000	1140	9.5	120.00
X10 982	2700	CRI 80	60000	1112	9.5	117.00
X10 1384	4000	CRI 80	60000	1663	13.5	123.15
X10 13835	3500	CRI 80	60000	1625	13.5	120.33
X10 1383	3000	CRI 80	60000	1606	13.5	118.93
X10 1382	2700	CRI 80	60000	1558	13.5	115.41
X10 1984	4000	CRI 80	60000	2366	19	124.50
X10 19835	3500	CRI 80	60000	2321	19	122.15
X10 1983	3000	CRI 80	60000	2185	19	115.00
X10 1982	2700	CRI 80	60000	2157	19	113.50
X10 2484	4000	CRI 80	60000	2736	23	118.96
X10 24835	3500	CRI 80	60000	2708	23	117.72
X10 2483	3000	CRI 80	60000	2660	23	115.65
X10 2482	2700	CRI 80	60000	2565	23	111.52
X10 2784	4000	CRI 80	60000	3230	27	119.63
X10 27835	3500	CRI 80	60000	3164	27	117.17
X10 2783	3000	CRI 80	60000	3040	27	112.59
X10 2782	2700	CRI 80	60000	2945	27	109.07

X10LED SPECIFICATION CRI90

CAT No	Colour Temp (K)	Colour Rendering (RA)	Life (L90) (hrs)	Total Delivered Lumens (lm)	Connected Load Total Watts (tcw)	Luminaire System Efficacy (lm/W)
X10 984	4000	CRI 80	60000	1038	9.5	109.30
X10 9835	3500	CRI 80	60000	998	9.5	105.00
X10 983	3000	CRI 80	60000	972	9.5	102.30
X10 982	2700	CRI 80	60000	1454	9.5	153.10
X10 1394	4000	CRI 90	60000	1423	13.5	105.41
X10 13935	3500	CRI 90	60000	1404	13.5	104.01
X10 1393	3000	CRI 90	60000	1363	13.5	100.98
X10 1392	2700	CRI 90	60000	2069	13.5	153.27
X10 1994	4000	CRI 90	60000	2030	19	106.85
X10 19935	3500	CRI 90	60000	1911	19	100.60
X10 1993	3000	CRI 90	60000	1887	19	99.30
X10 1992	2700	CRI 90	60000	2394	19	126.00
X10 2494	4000	CRI 90	60000	2370	23	103.05
X10 24935	3500	CRI 90	60000	2328	23	101.20
X10 2493	3000	CRI 90	60000	2252	23	97.89
X10 2492	2700	CRI 90	60000	2826	23	122.88
X10 2794	4000	CRI 90	60000	2774	27	102.74
X10 27935	3500	CRI 90	60000	2660	27	98.52
X10 2793	3000	CRI 90	60000	2584	27	95.70
X10 2792	2700	CRI 90	60000	2576	27	95.42